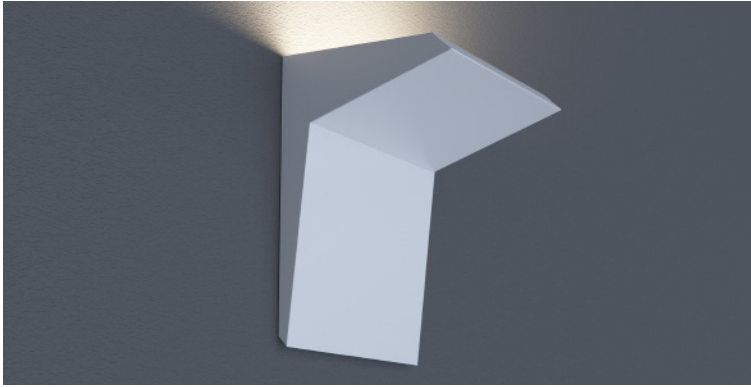


DATE _____ PROJECT _____ FIRM _____ TYPE _____



5" wall sconce designed to provide an optimal asymmetric throw on the ceiling as well as uplight for even illumination on the wall. Uses Avi-Optics.

FEATURES

- Available In Made To Measure Lengths Accurate Up To 1/16"
- Asymmetric Distribution
- Damp Location Rated
- CRI 90+ Standard; R9>50
- 5 Year, 50,000 Hour Fixture Warranty
- 2700K, 3000K, 3500K & 4000K Color Temperatures Available
- Available with PoE

APPLICATIONS Offices, Lobbies, Retail Stores, Classrooms, Reception Areas & Corridors

CONSTRUCTION Extruded Aluminum Housing | **OPTICS** Avi-Optics For Asymmetric Throw On Ceiling and Uplight

WARRANTY 5 Year Limited Warranty (Covers Standard Components) | **FINISH** Standard Powder-Coated White. Custom RAL Colors Available

FIXTURE RATINGS & CERTIFICATIONS Union Made ETL Listed | Made In The USA Damp Location Rated



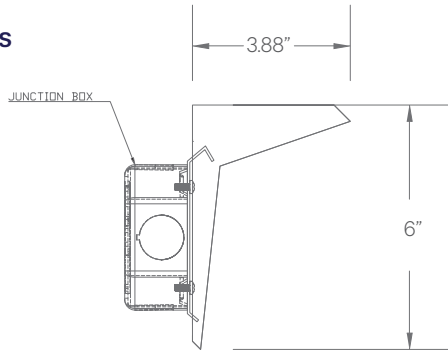
DRIVERS & SENSORS



For Wiring Diagrams and Sensor Information Click [Here](#)

ELECTRICAL Junction Box with 0-10V Dimming Standard. Several Driver Options Available

EXTRUSION DIMENSIONS



LED SYSTEM INFORMATION

	Nominal System Watts	Nominal Delivered Lumens	Nominal Efficacy
Standard (LTG1)	9 W	893 lm	99 LPW
Low (LTG2)	6.25 W	640 lm	102 LPW
High (LTG3)	11 W	1,067 lm	97 LPW

Based on a 3500K luminaire using one driver. Custom outputs available; specify below.

ORDERING 1 2 3 4 5 6 7 8 9

- 1 - FIXTURE ID**
FIN SCONCE
- 2 - LENGTH**
5"
- 3 - COLOR TEMP**
27 - 2700K/90 CRI
30 - 3000K/90 CRI
35 - 3500K/90 CRI
40 - 4000K/90 CRI
- 4 - LED SYSTEM**
LTG1 - Standard
- 5 - VOLTAGE**
UNV - Universal (120/277V)
- 6 - DRIVER**
DB - Standard Dimming (0-10V)
DB1% - 1% Dimming (0-10V)
DB.1% - 0.1% Dimming (0-10V)
LTEA - Lutron 2-wire 1% Dimming (120V only)
LDE1 - Lutron Digital EcoSystem
LDE5 - 5 Series EcoSystem; 5% Dimming
PoE - Power over Ethernet. Consult Factory for Compatibility

- 7 - FINISH**
W - White (Standard)
BLK - Black
CC - Custom Color (provide RAL#)
- 8 - MOUNTING**
WM - Wall Mount
- 9 - OTHER OPTIONS**
EM 120V - Emergency Pack
EM 277V - Emergency Pack
EMCKT - Emergency Circuit
WH6 - 6ft Whips Preinstalled