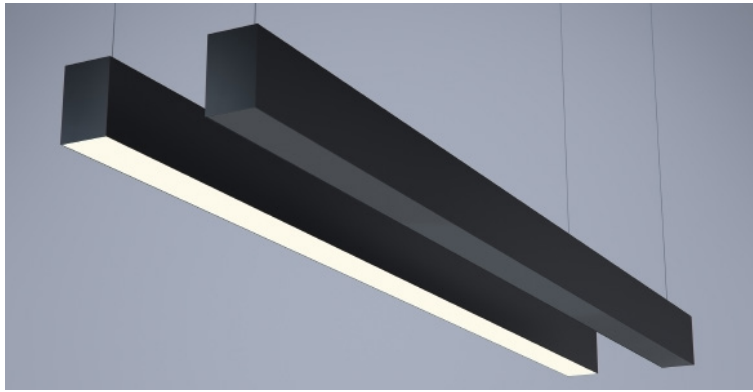


DATE	PROJECT	FIRM	TYPE
------	---------	------	------



Narrow, linear luminaire with specially formulated **BLACK OPTIC** that allows the unilluminated fixture to seamlessly blend in to dark environments. Suspended, surface or wall mount installation. For custom mounting consult factory.

FEATURES


- **BLACK OPTIC**
- 100% Direct Lighting
- Available In Made To Measure Lengths Accurate Up To 1/16"
- Patterns Available (See Page 3)
- CRI 90+ Standard; R9>50
- 5 Year, 50,000 Hour Fixture Warranty
- 2700K, 3000K, 3500K, 4000K & 5000K Color Temperatures Available
- Available with PoE

APPLICATIONS	Offices, Lobbies, Retail Stores Restaurants, Reception Areas & Corridors		
---------------------	--------------------------------------------------------------------------	--	--

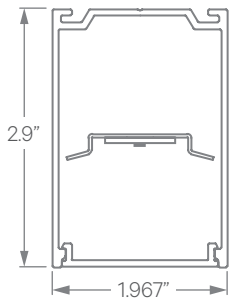
CONSTRUCTION	Extruded Aluminum Housing with Die Cast Ends. Formed Steel Gear Tray	OPTICS	BLACK OPTIC
---------------------	----------------------------------------------------------------------	---------------	--------------------

WARRANTY	5 Year Limited Warranty (Covers Standard Components)	FINISH	Standard Powder-Coated Black. Custom RAL Colors Available
-----------------	------------------------------------------------------	---------------	-----------------------------------------------------------

FIXTURE RATINGS & CERTIFICATIONS	Union Made	Made In The USA	 	DRIVERS & SENSORS
	ETL Listed	Damp Location Rated		

ELECTRICAL	Integral Driver with 0-10V, 1% Dimming Standard. Several Driver Options Available	<p>For Wiring Diagrams and Sensor Information Click Here</p> 
-------------------	-----------------------------------------------------------------------------------	------------------------------------------------------------------------------------------------------------------------------------------------------------------

EXTRUSION DIMENSIONS



ORDERING	1	2	3	4	5	6	7	8	9	10
----------	---	---	---	---	---	---	---	---	---	----

1 - FIXTURE ID	2 - LENGTH	3 - COLOR TEMP	4 - LED SYSTEM	5 - VOLTAGE	6 - DRIVER
LS1 LED - BKO™	2 - 2 ft 4 - 4 ft 8 - 8 ft X'-X'' - Specify Length PAT - Pattern (Consult Factory)	27 - 2700K/90 CRI 30 - 3000K/90 CRI 35 - 3500K/90 CRI 40 - 4000K/90 CRI 50 - 5000K/90 CRI TW* - Tunable White <small>*Must use DMX or TW10 Driver</small>	LTG1 - Standard LTG2 - Low LTG3 - High LTGC - Custom Output	UNV - Universal (120/277V)	DB - Standard 1% Dimming (0-10V) LTEA - Lutron 2-wire 1% Dimming (120V only) LDE1 - Lutron Digital EcoSystem LDE5 - 5 Series EcoSystem; 5% Dimming DALI - DALI-2 Driver PoE - Power over Ethernet. Consult Factory for Compatibility DMX - For Color Tuning and RGBW (Remote) TW10 - Dual Channel, 0-10V For Color Tuning (CCT and Intensity Control)

7 - FINISH	8 - MOUNTING	9 - CONTROL (Optional)	10 - OTHER OPTIONS
W - White (Standard) BLK* - Black CC* - Custom Color (provide RAL number**) CWF* - Custom Wood Finish (provide color**)	AC - Air Craft Cable (50") SM - Surface Mount WM - Wall Mount PS-X'' - Pendant Stem (12", 24", 36", or 48") <small>*For Perimeter Mount see LSR1 spec sheet.</small>	EIS - Enlighted Sensor WISD - Wattstopper Daylight Sensor WISM - Wattstopper Occupancy Sensor SLS - SensiLUM Sensor ACS - Acuity Controls nLight System CCS - Casambi Compatible ECS - Eaton WaveLinx System <small>*For other control systems not listed consult factory.</small>	EMCKT - Emergency Circuit

*White cord and canopy provided. Must specify for other requests.
**See [here](#) for finish options

DATE

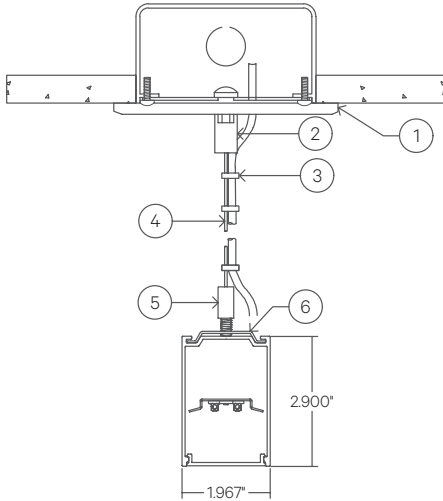
PROJECT

FIRM

TYPE

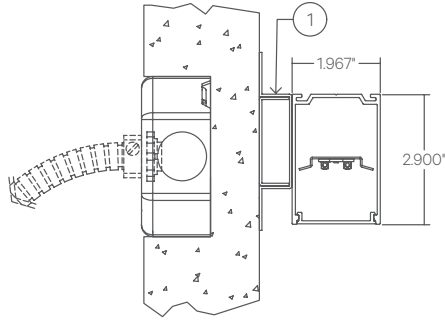
MOUNTING OPTIONS

AC - Air Craft Cable (50")



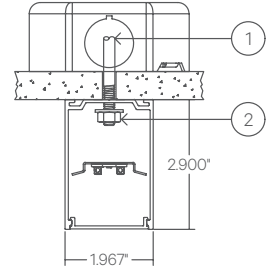
- 1 - 5" Round Canopy (Standard White Finish)
- 2 - Canopy Retainer
- 3 - SJT Cord (Standard White)
- 4 - Air Craft Cable
- 5 - Gripper
- 6 - Hanging Bracket

WM - Wall Mount



- 1 - 0.75" Wall Mount Bracket

SM - Surface Mount



- 1 - Threaded Rod (not supplied)
- 2 - 1/4-20 Nut (not supplied)

DATE

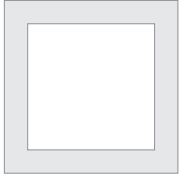
PROJECT

FIRM

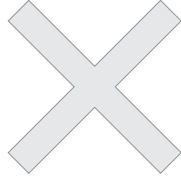
TYPE

PATTERNS

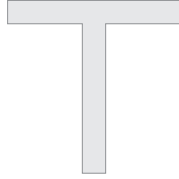
Patterns feature illuminated corners and angles. **Must consult factory for custom corners, patterns and elevations.**



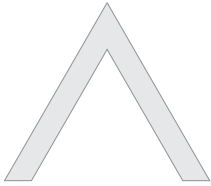
Square Patterns



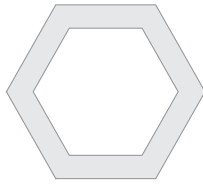
X Patterns



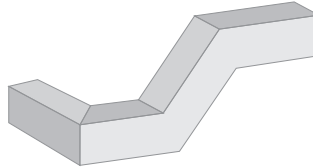
T Patterns



Custom Angles

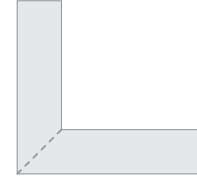


Custom Patterns



Custom Elevations

LENS CUT



Mitered